


# Eclipse RatioMatic

## Burners

Model RM0700

Version 5

Parameter	Specification	
<b>Blower Type</b>	<b>Chamber Pressure "w.c. (mbar)</b>	<b>60 Hz</b>
<b>Maximum Input, Btu/h (kW)<sup>1</sup></b>  Contact factory for chamber pressures outside the given range, or varying chamber pressure conditions.	-5.0 (-12.4)	7,640,000 (2240)
	-2.0 (-5.0)	7,260,000 (2130)
	0.0 (0.0)	7,000,000 (2050)
	2.0 (5.0)	6,720,000 (1970)
	5.0 (12.4)	6,290,000 (1840)
<b>Minimum Input On-Ratio, Btu/h (kW)<sup>2</sup></b>	80,000 (23)	
<b>Main Gas Inlet Pressure, psig (mbar)<sup>3</sup></b> <i>Fuel pressure at ratio regulator inlet</i>	Natural Gas	1.0 to 2.5 (70 to 175)
	Propane	1.0 to 2.0 (70 to 140)
<b>High Fire Flame Length, inches (mm)</b> <i>Measured from the outlet end of the combustor</i>	Natural Gas	75 (1900)
	Propane	88 (2200)
<b>Maximum Chamber Temperature, °F (°C)</b>	Alloy Tube	1500 (815)
	Block & Holder	1900 (1038)
<b>Flame Detection</b>	Alloy Tube	Flamerod or UV Scanner
	Block & Holder	UV scanner only
<b>Fuels<sup>4</sup></b> <i>For any other mixed gas, contact Eclipse, Inc.</i>	Natural Gas, Propane, Butane	
<b>Blower Motor Power, Hp</b>	7.5	
<b>Weight, lbs (kg)<sup>5</sup></b>	Alloy Tube	410 (186)
	Refractory	556 (252)
<b>Approvals</b>		

<sup>1</sup> Maximum inputs for packaged blower versions are given for the standard combustion air blower without an inlet air filter.

<sup>2</sup> Turndown input based on neutral chamber conditions. Contact Eclipse for other chamber pressures.

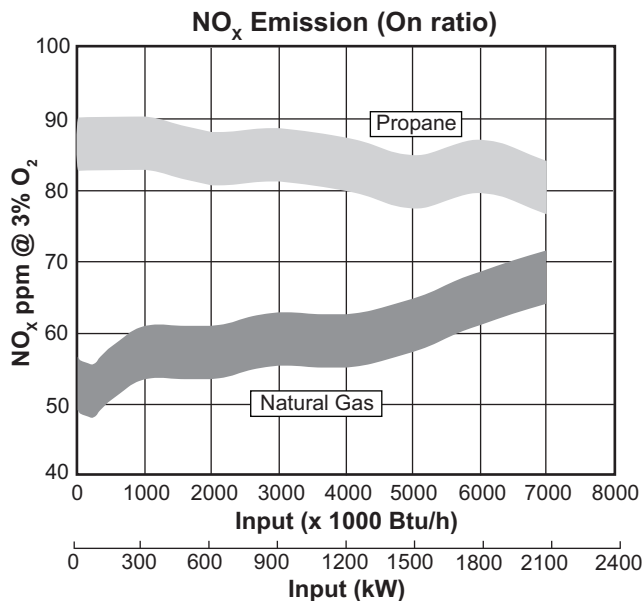
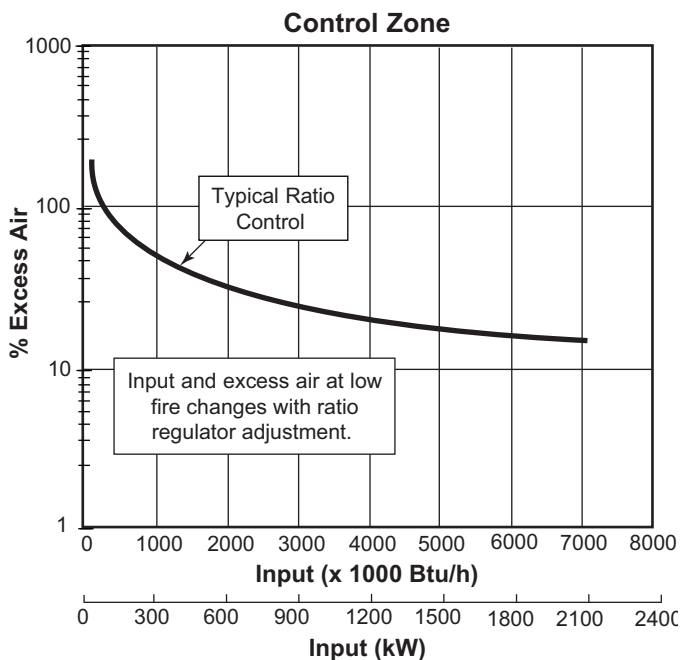
<sup>3</sup> For proper performance, this pressure must be kept constant across the burner operating range.

<sup>4</sup> See Design Guide 110 for more information about typical fuel composition and properties.

<sup>5</sup> All weights are approximate.

- All information is based on laboratory testing. Different chamber conditions will affect the data.
- All inputs based upon gross calorific values and standard conditions; 1 atmosphere, 70°F (21°C).
- Eclipse reserves the right to change the construction and/or configuration of our products at any time without being obliged to adjust earlier supplies accordingly.

## Performance Graphs



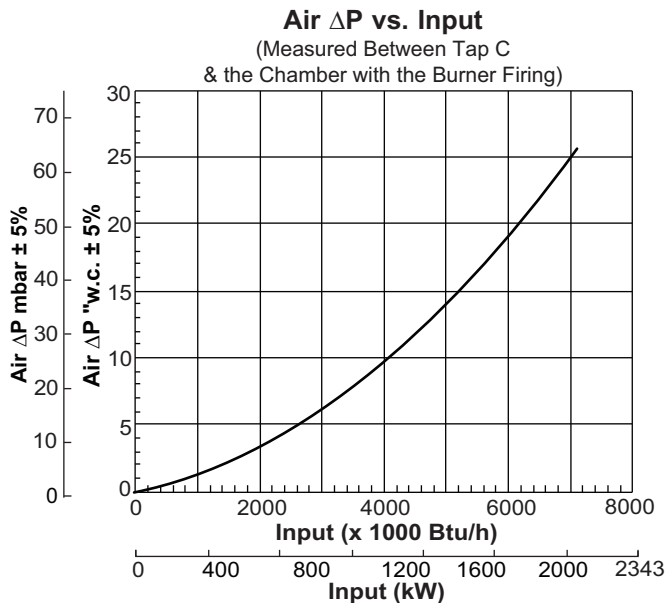
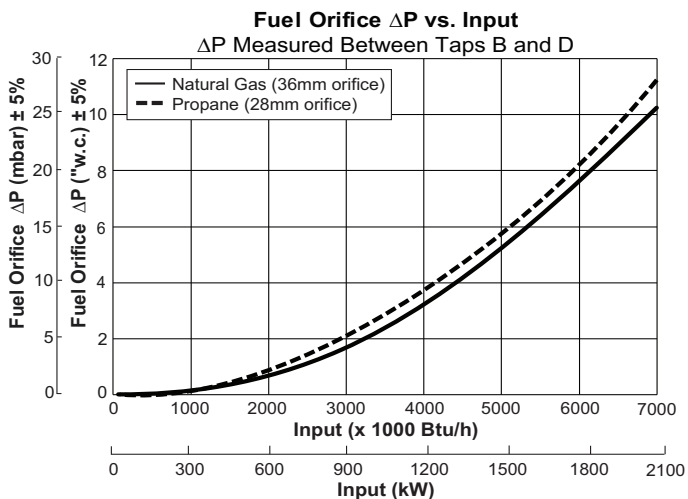
### NO<sub>x</sub> Emission data is given for:

- Ambient combustion air ~70°F (21°C)
- Less than 1000°F (540°C) firing chamber
- Minimal process air velocity
- Low fire input adjusted to 80,000 Btu/h (23 kW)
- ppm volume, dry @ 3% O<sub>2</sub>
- Neutral chamber pressure

### Emissions from the burner are influenced by:

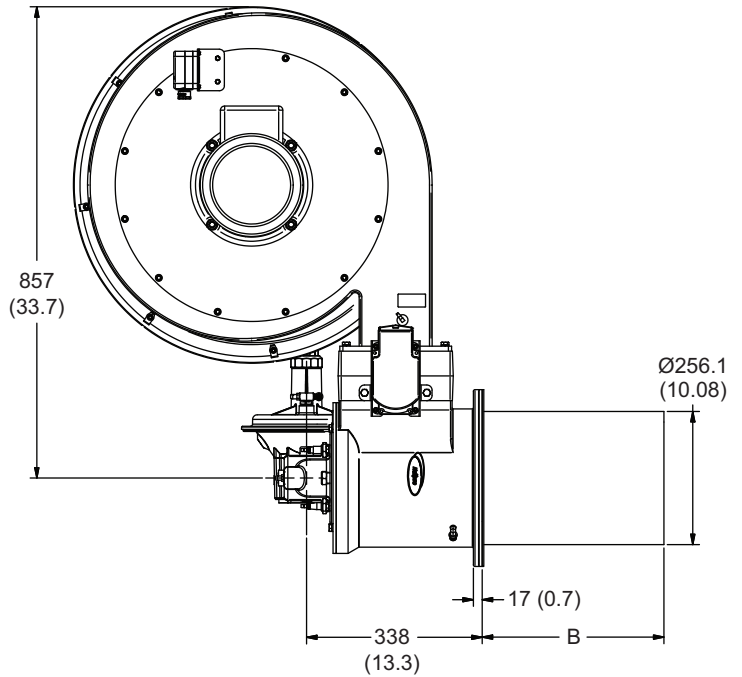
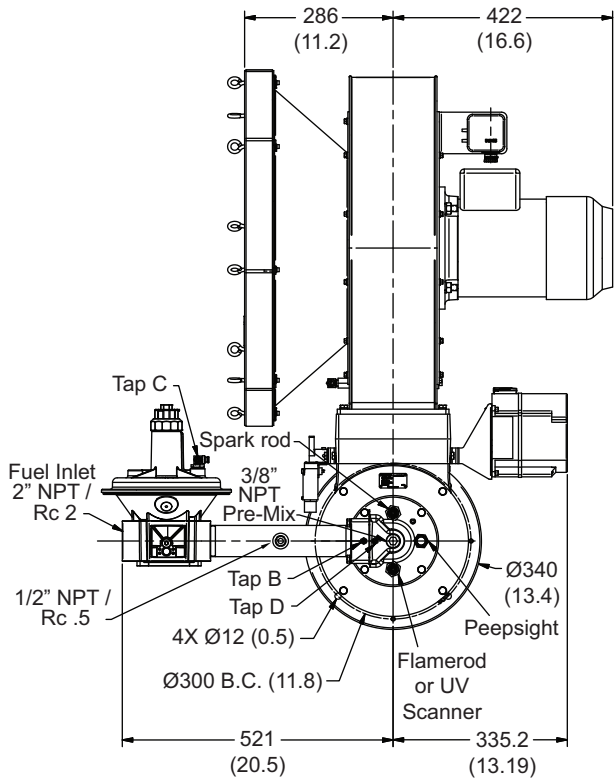
- Chamber conditions
- Fuel type
- Firing rate
- Ratio regulator adjustment
- Combustion air temperature

CO emission is largely influenced by chamber conditions. Contact your local Eclipse representative for an estimate of CO emission on your application.

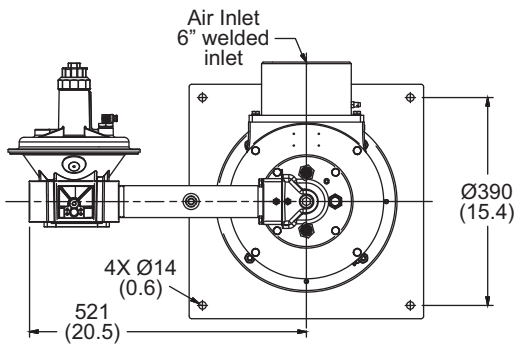


# Dimensions and Specifications

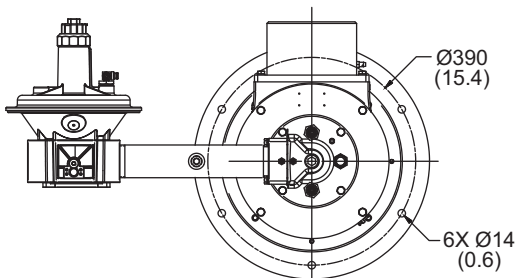
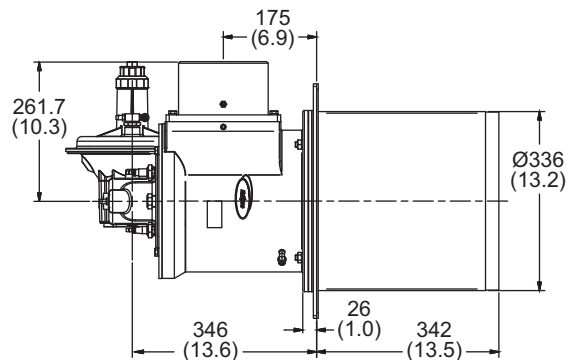
Dimensions in mm (in)



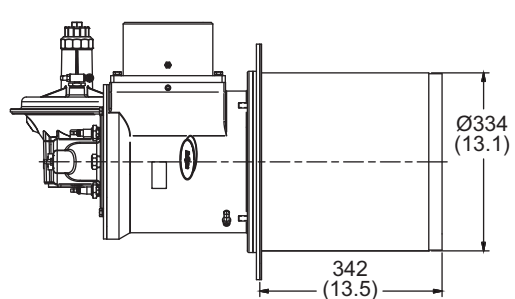
Combustor Type	B
Straight Stainless Steel Alloy Tube	349.6 (13.8)
Straight Stainless Steel Alloy Tube	425.6 (16.8)



Square Block and Holder

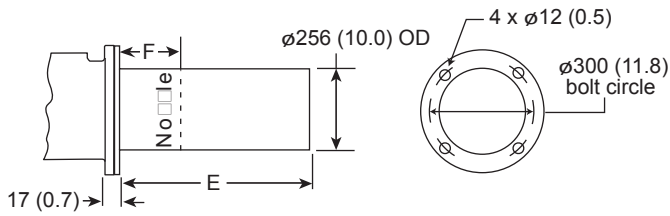


Round Block and Holder



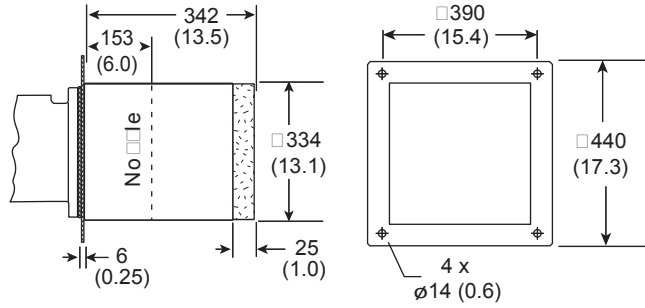
## Combustor Options

### Alloy Tube

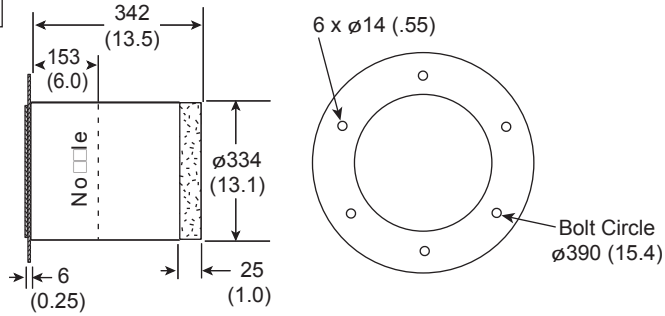


E	F
350 (13.8)	153 (6.0)
426 (16.8)	229 (9.0)

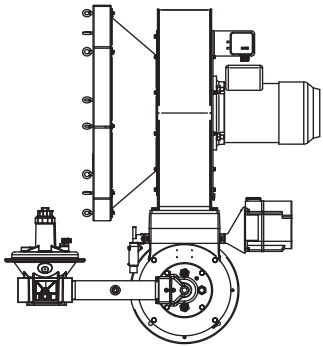
### Square Block & Holder



### Round Block & Holder

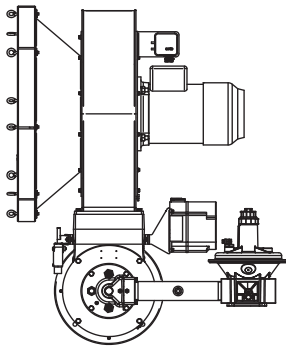
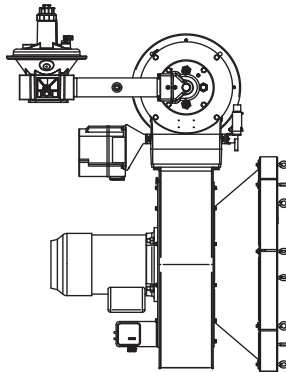


## Burner Configurations



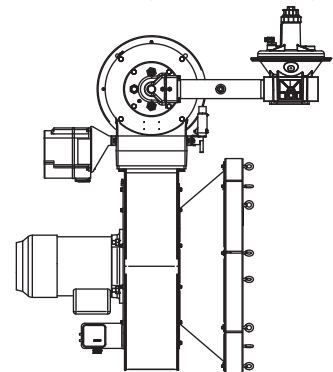
Upright Left Hand Piping

Inverted Left Hand Piping



Upright Right Hand Piping

Inverted Right Hand Piping



### Offered By:



Power Equipment Company

2011 Williamsburg Road Richmond, Virginia 23231

Tel: 804-236-3800 Fax: 804-236-3882 [www.peconet.com](http://www.peconet.com)